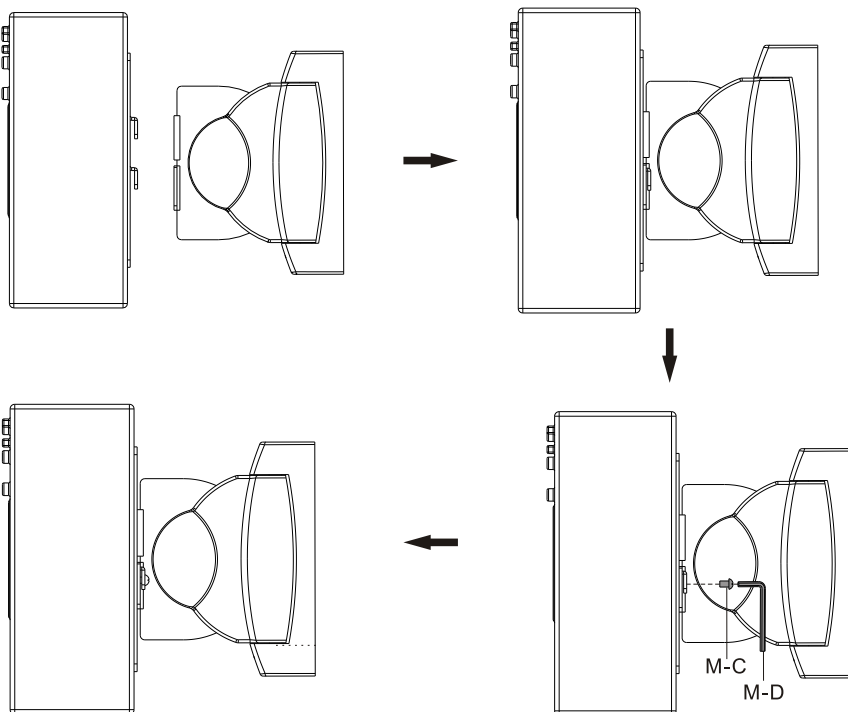


6. Installing the Speaker



- Hook the speaker onto the speaker plate.
- Tighten the safety screws through the mounting holes, do not over tighten!

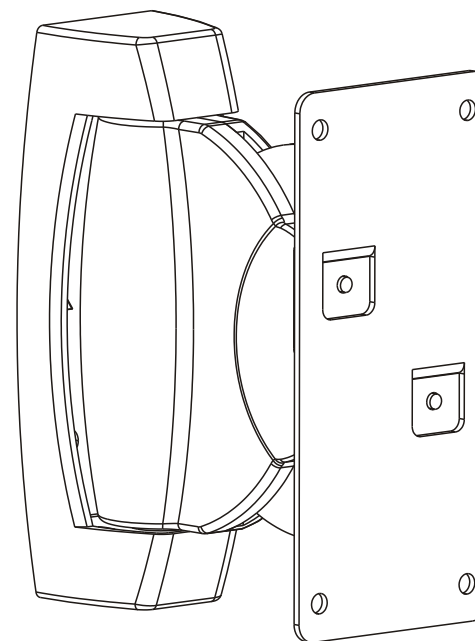
Maintenance

- Check that the bracket is secure and safe to use at regular intervals (at least every three months).
- Please contact your distributor if you have any questions.

deleyCON

INSTALLATION MANUAL

Speaker Wall Mount



CAUTION: DO NOT EXCEED RATED LISTED WEIGHT. SERIOUS INJURY OR PROPERTY DAMAGE MAY OCCUR!

MK-W-98



memoryking GmbH & Co. KG
Paewesiner Weg 20 | 13581 Berlin | Germany
Phone: +49 (0) 30 337 73 92 0

Memoryking GmbH & Co. KG hereby declares that this product complies with Directive 1907/2006/EU and 2011/65/EU.

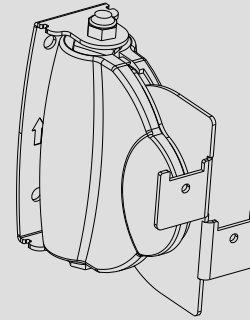
NOTE: Read the entire instruction manual before you start installation and assembly.

WARNING

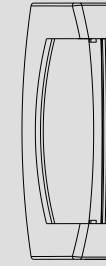
- Do not begin the installation until you have read and understood all the instructions and warnings contained in this installation sheet. If you have any questions regarding any of the instructions or warnings, please contact your local distributor.
- This mounting bracket was designed to be installed and utilised ONLY as specified in this manual. Improper installation of this product may cause damage or serious injury.
- This product should only be installed by someone with good mechanical ability who has basic building experience and fully understands this manual.
- Make sure that the supporting surface will safely support the combined weight of the equipment and all attached hardware and components.
- If mounting to wood wall studs, make sure that mounting screws are anchored into the center of the studs. The use of a stud finder is highly recommended.
- Always use an assistant or mechanical lifting equipment to safely lift and position the equipment.
- Tighten screws firmly, but do not over tighten. Over tightening can cause damage to the items, This greatly reduces their holding power.
- This product is intended for indoor use only. Using this product outdoors could lead to product failure and personal injury.

Component Checklist

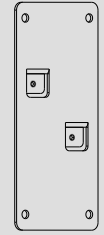
IMPORTANT: Ensure that you have received all parts according to the component checklist prior to installation. If any parts are missing or faulty, telephone your local distributor for a replacement.



speaker wall plate (x2)
A



decorative cover (x2)
B

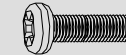


speaker bracket (x2)
C

Package M



M4x14 (x8)
M-A



M5x14 (x8)
M-B



M4x6 (x4)
M-C



2.5mm Allen key (x1)
M-D

Package W

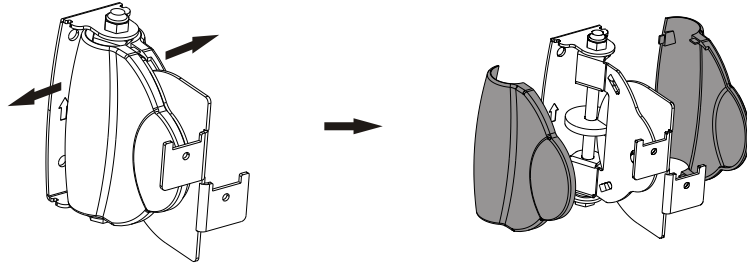


ST5.5x50 (x4)
W-A



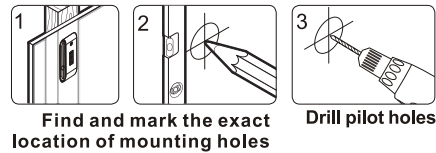
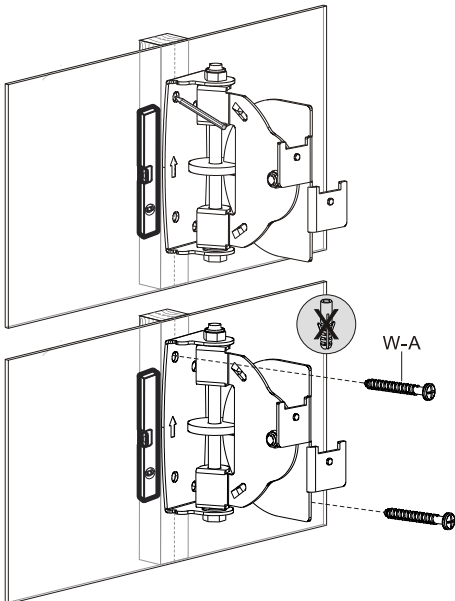
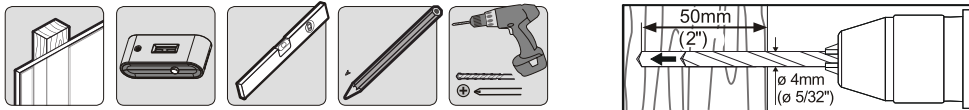
concrete anchor (x4)
W-B

1. Removing the Decorative Covers



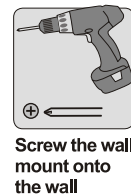
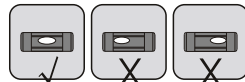
! Be careful not to damage the decorative covers when you remove them.

2a. For Wood Stud Wall Mounting



Find and mark the exact location of mounting holes

Drill pilot holes

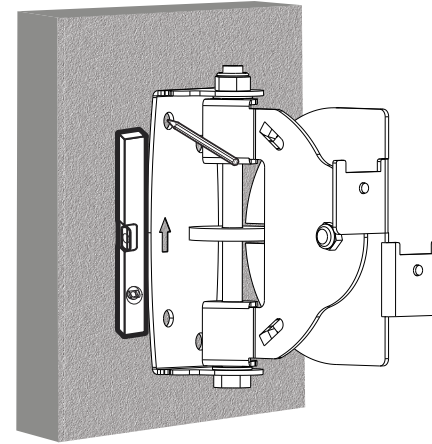
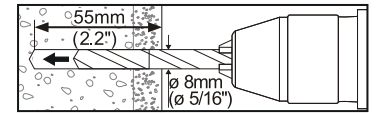
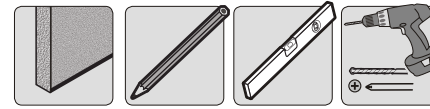


With the arrow pointing up.

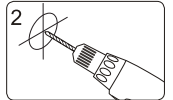
! WARNING

- Make sure that mounting screws are anchored into the center of the studs. The use of a stud finder is highly recommended.
- Installers are responsible to provide hardware for other types of mounting situations.
- Installers must verify that the supporting surface will safely support the combined weight of the equipment and all attached hardware and components.

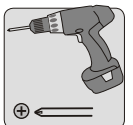
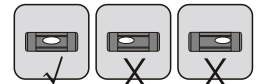
2b. For Solid Brick and Concrete Mounting



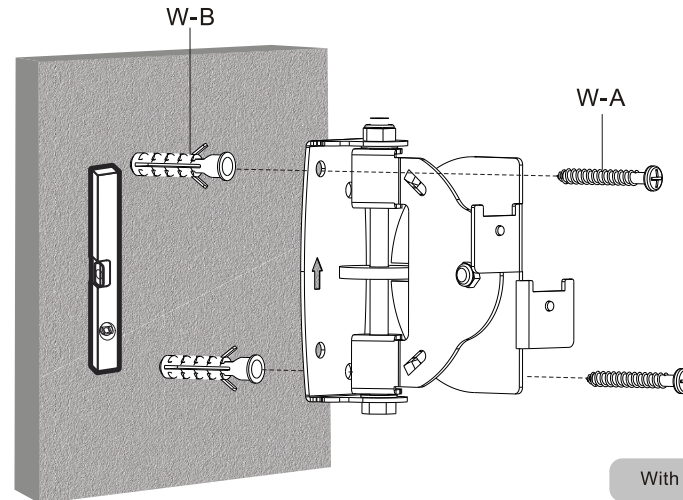
Mark the exact location of mounting holes



Drill pilot holes



Screw the wall mount onto the wall

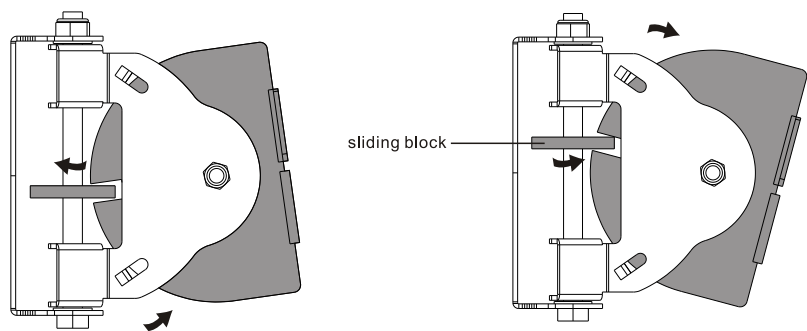


With the arrow pointing up.

! WARNING

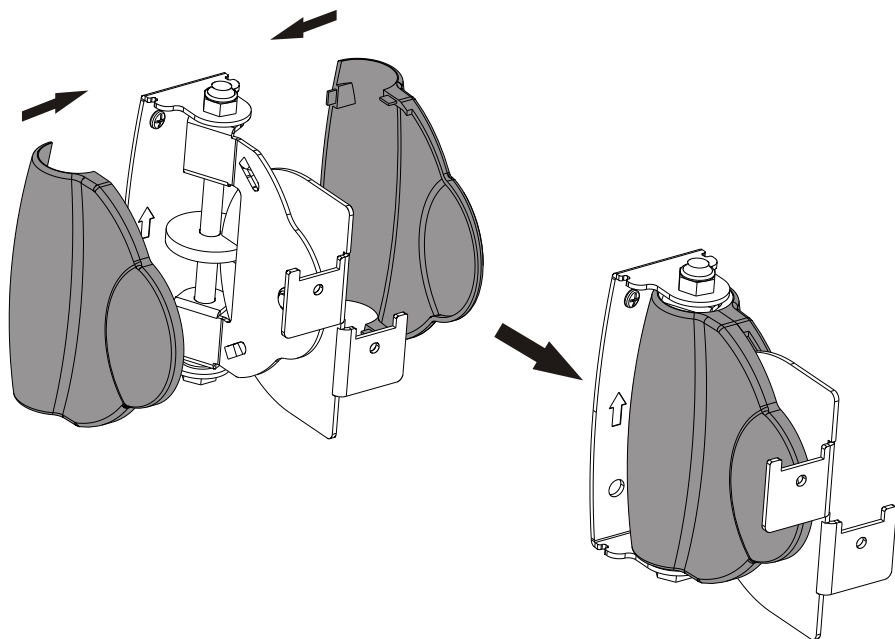
Installers must verify that the supporting surface will safely support the combined weight of the equipment and all attached hardware and components.

3. Adjustment



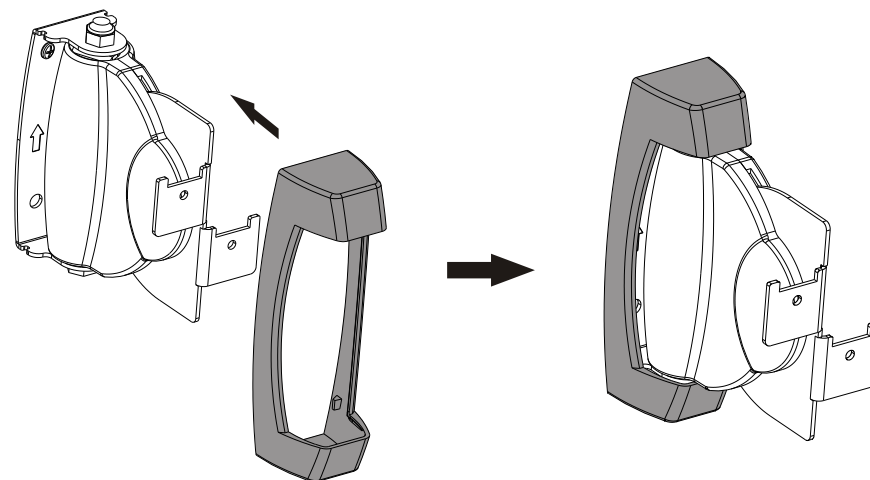
Use the sliding block to adjust the wall mount to obtain the desired angle, the pitching angle can be adjusted between -20° ~ 20° .

4. Mounting the Decorative Covers

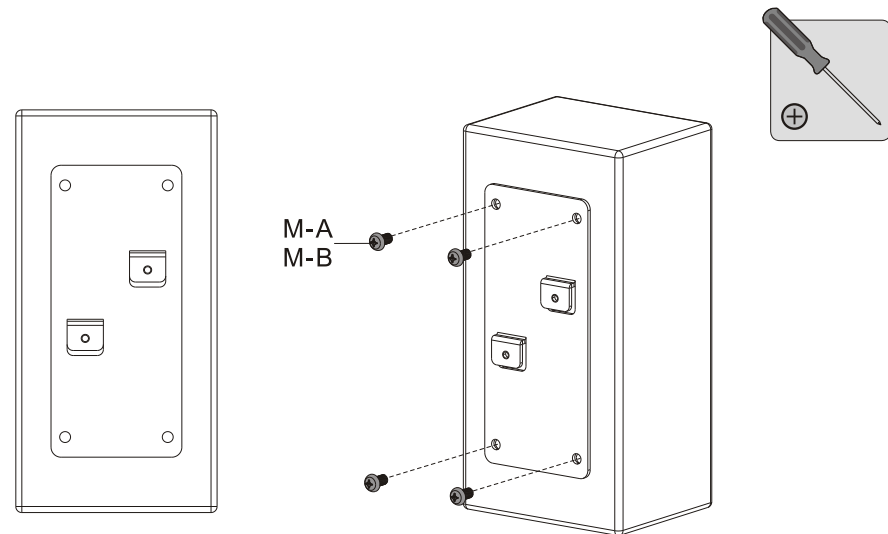


Snap the decorative covers to cover the speaker wall plate.

5. Installing the Speaker Bracket



5. Installing the Speaker Bracket



Attach the speaker bracket to the back of the speaker using appropriate combination of screws.
Note: To select the number of screws according to the mounting holes of the speaker.